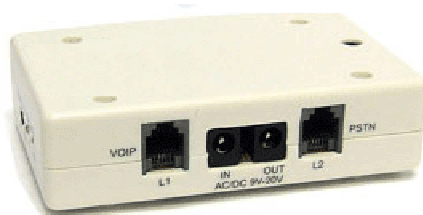


FXS to FXO Port Converter



Access Password

User can set a password (max. 6 digits) to prevent unauthorized access of VOIP or PSTN.

Auto Call Forwarding (Hot Line)

User can set a telephone (or VOIP) number, when the call is coming from a line, will forward this number via the other line.

Maximum Call Duration Limitation

TC 801 can enforce to disconnect the lines after a certain period. The duration is programmable from 1 minute to 999 minutes.

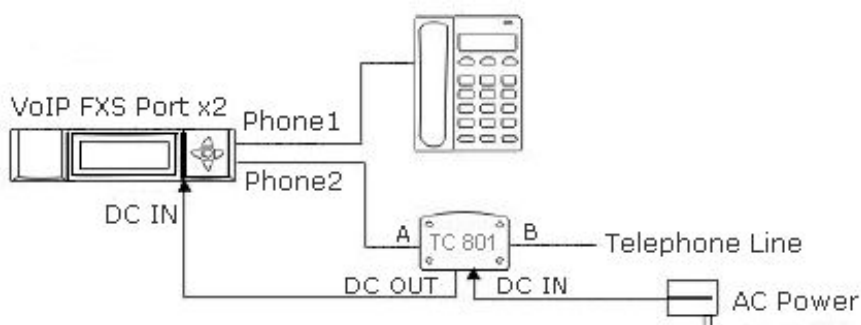
DTMF Enhancement

Specially designed for CISCO ATA VOIP gateway, to enhance the DTMF level of dialing numbers. Make these gateways recognize the dialing numbers easily and precisely.

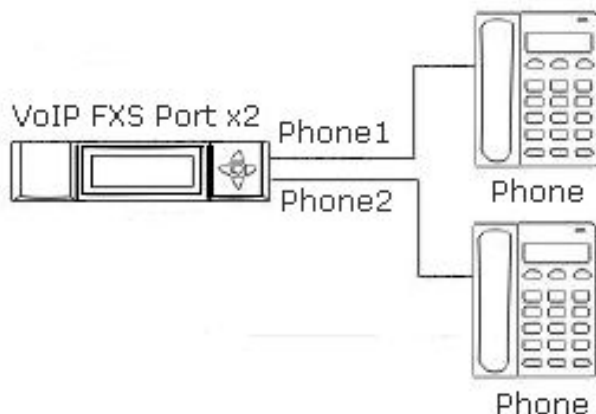
Programming Password

To prevent unauthorized changing of the setting.

Our FXS to FXO Port Converter works in all countries in the world and allows you to convert an FXS port on any VoIP Gateway or ATA to an FXO port so it can be connected to a local telephone line instead of a regular telephone. The best part is that it works in both directions and will even work with our own TOP-GATE VoIP Gateway or a Cisco ATA-186.



**TC 801 can convert FXS interface to FXO
It can connect to the telephone line for call transfer**



An FXS type VoIP connect to 2 telephone sets

As an example, if you call the PSTN telephone line you have connected to the port converter you will automatically be connected and receive dial tone from the FXS port on your VoIP gateway. Alternatively, if you call the FXS port on your VoIP gateway you will automatically be connected and receive dial tone from your PSTN telephone line. The converter unit simply listens for a busy tone to disconnect the call.

You can use it to set up a local access line for prepaid phone card services or other call origination services like access to your office telephone network from home or any other touchtone telephone or you can use it for call termination services.

Specifications

Connections: 2 x RJ11 Jacks

Power: Input: +5v DC or +9-20v DC

Output: +5v DC or +9-20v DC

Operating temperatures: 0°C to 55° C, 25 to 85% humidity